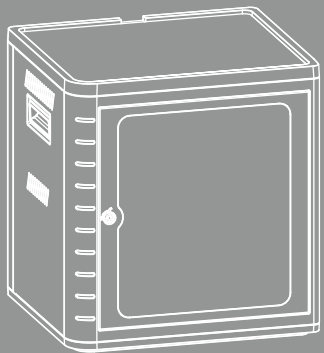
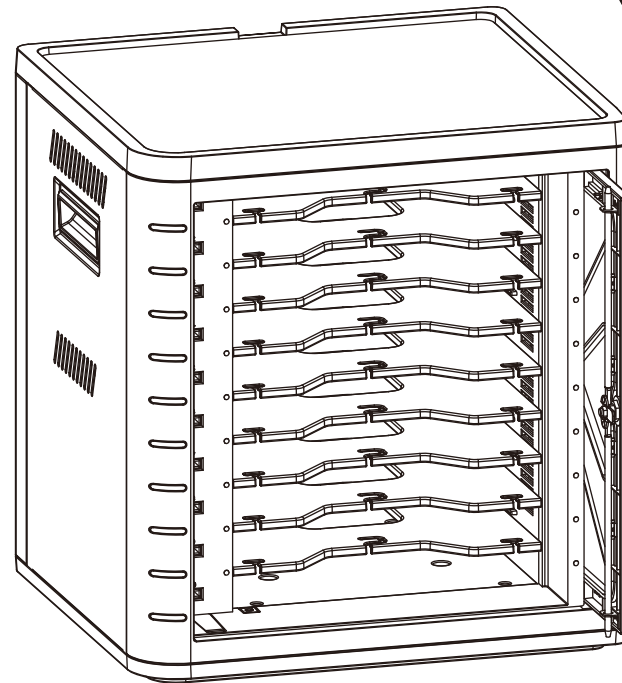


DESKTOP STORAGE FOR TABLET

DT310PS



Rating Input: AC 100-120 Vac, 50/50Hz, 2A
AC 200-240 Vac, 50/60Hz, 3A
output: 5Vdc, 2.4A for each USB port

Chen-Source Inc.

No.50-16, Sec. 1, Minsheng N. Rd., Guishan Township
Taoyuan County 33391, Taiwan (R.O.C.)
TEL : +886-3-3162789
FAX : +886-3-3570222
<http://www.chen-source.com>
Email : chensource@chensource.com



XXXXXX株式会社



User Manual

71H016531-001

General Use

- The product is designed to allow you to easily store, secure, charge and sync up to 10 iPad devices per unit.

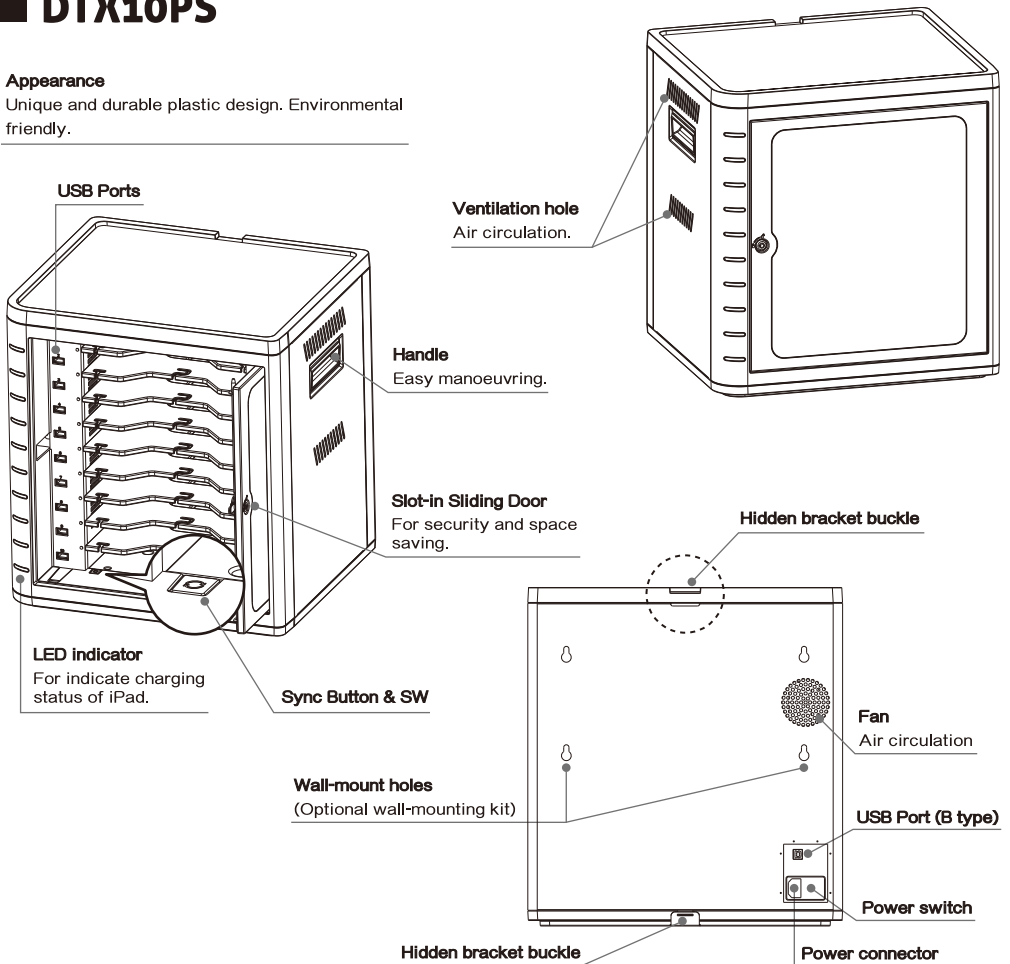
1. Product Specification	P.02
2. Charging Set-up	P.03
3. Desktop and Peripherals locking	P.04
4. Attaching bracket bucle and wall-mounting (apolegamy)	P.05
5. Level of moise & glossiness	P.06
6. Safety	P.06

1. PRODUCT SPECIFICATION

DTX10PS

Appearance

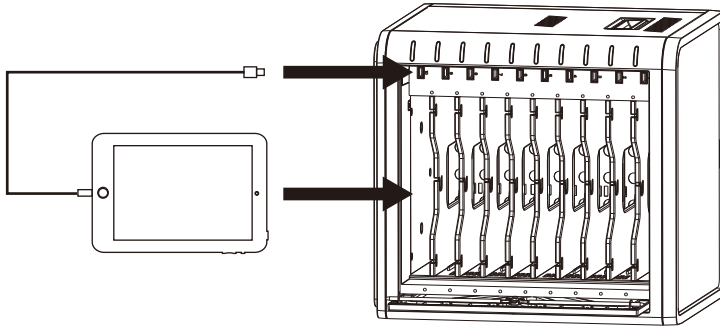
Unique and durable plastic design. Environmental friendly.



Product SPEC

Model Name	DT310PS	N.W. / G.W.	15.6kgs / 18kgs
Capacity	10 tablet	LED indicator	10
Slot	6: H52 xW242 xD280mm 8: H37 xW242 xD280mm 10: H28 xW242 xD280mm	Power Rating	Input : AC 220-240 Vac, 50/60Hz, 2A AC 100-120 Vac, 50/60Hz, 3A Output : USB 5V, 2.4A
Dim. with Packing	510x470x555mm	Fan	DC12V / 0.11A / 6x6mm

2. CHARGING Set-UP



Set-up:

1. Place the unit on a flat surface.
2. Make sure the power switch is on "OFF" position.
3. Connect the power cord into the power supply slot, and on to the wall outlet.
4. Plug usb cable into each slots.
5. Insert iPad to each slots.
6. Plug dock connector into each iPad.
7. Switch on the power switch behind the unit.

LED indicator :

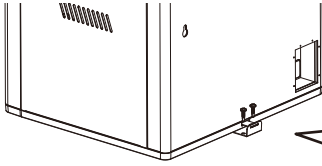
Color Green = Charged.
Color Red = Charging in progress
Color Green/Red Flash = Sync in process

- Sync disabled: SW up
- Sync enable : SW down

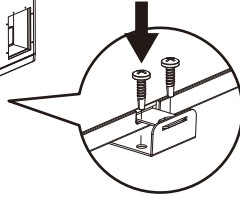
Note:

1. Support Apple Ipad 2.4A charge mode.
2. Conform USB BC 1.2 standard.

3. DESKTOP AND PERIPHERALS LOCKING

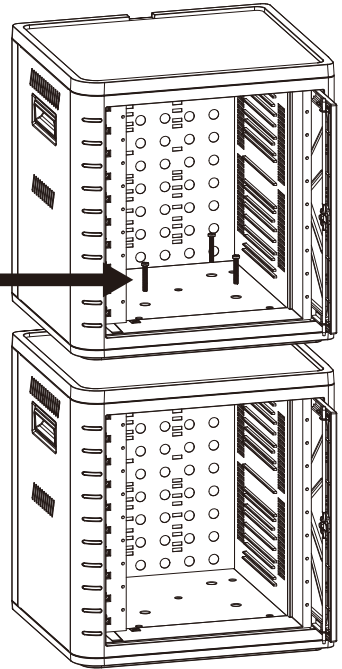


SCREW: T5X16_2PCS

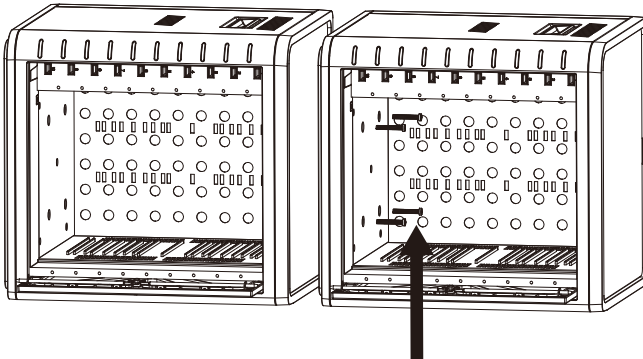


STACKING OPTION 1

SCREW: M6X40_4PCS



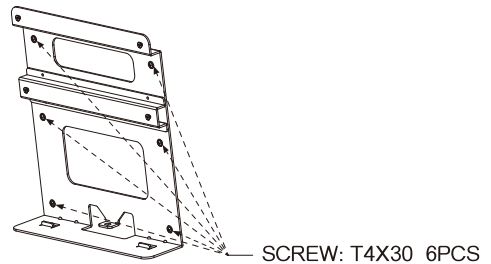
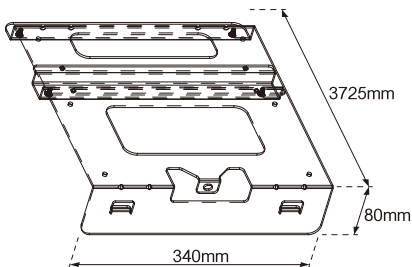
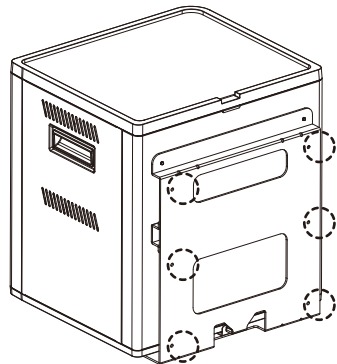
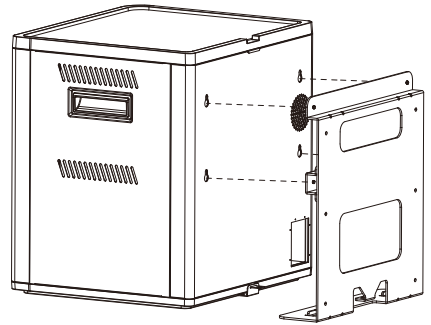
OPTION 2



SCREW: M6X40_4PCS

4. ATTACHING BRACKET BUCKLE AND WALL-MOUNTING

- Bracket buckle is attached on the rear top and bottom of the product, the bracket buckle can be attached on the surface using table mount kit.
- Attaching the wall-mount bracket:
- Preparation: Screw (T., Half round, Stainless, T4 x L30mm), Anchor nut (1/4" *L27mm, EM35114-70, PVC).
- Wall-mounting kit only applies on wood structure wall and concrete wall.
- Make sure there is enough space on the wall with the product door open. Drill the hole and drive the anchor nuts into the wall. Place the holding plate on the wall, and then tighten with M5 stainless screws. Position product over the wall bracket and then slide it downward to set it in place.



Note: Non support stacking use

5. Level of noise & glossiness

Level of noise

- Declared noise emission values apply to all variations of a product and no operator position is specified.
- Desktop Storage for Tablet, Chen-source, DT310PS
- Declared noise emissions in accordance with ISO 9296

	Operating	Idling
· LWAd (1B=10 dB)	6.1 B	6.0 B
· LpAm (bystander positions)	55 dB	54 dB

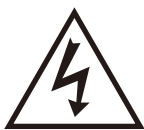
Level of glossiness

- This device is not intended for use in the direct field of view at visual display workplaces. To avoid incommoding reflexions at visual display workplaces this device must not be placed in the direct field of view.

6. SAFETY

WARNING :

This product must only be used for its intended purpose in accordance with these operating instructions. Failure to observe the following notices can result in fire, injury, death by electric shock or equipment damage.



ELECTRIC SHOCK
Operate Carefully

- Always turn OFF the power to the product before plugging IN or OUT.
- Do not unplug the power cord from the outlet when your hands are wet.
- Do not use cables that are damaged.
- Do not unplug by pulling on the cable.
- Do not plug the cable into an extension cable.
- Keep the door closed and locked when in use.



- This product is not designed to be operated by a child or student. Only Adult operation and supervision should move this product.
- Do not allow anyone to set, stand, or climb on the product.
- Move the product with caution.
- Keep the product away from water.
- Keep the ventilation holes unblock for air circulation.
- Do not place TV or monitor on top of the product.
- Do not use the product to store liquids or cleaning supplies.
- Keep the door closed and locked when in use.
- Disconnect the power cable from the wall before relocate the main unit.